

File was found and ready to download!
UPDATED 14 HOURS AGO

Fastest Source: [usenet.nl](https://www.usenet.nl)

Click the **download button** and select one of the found **cloud sources**.

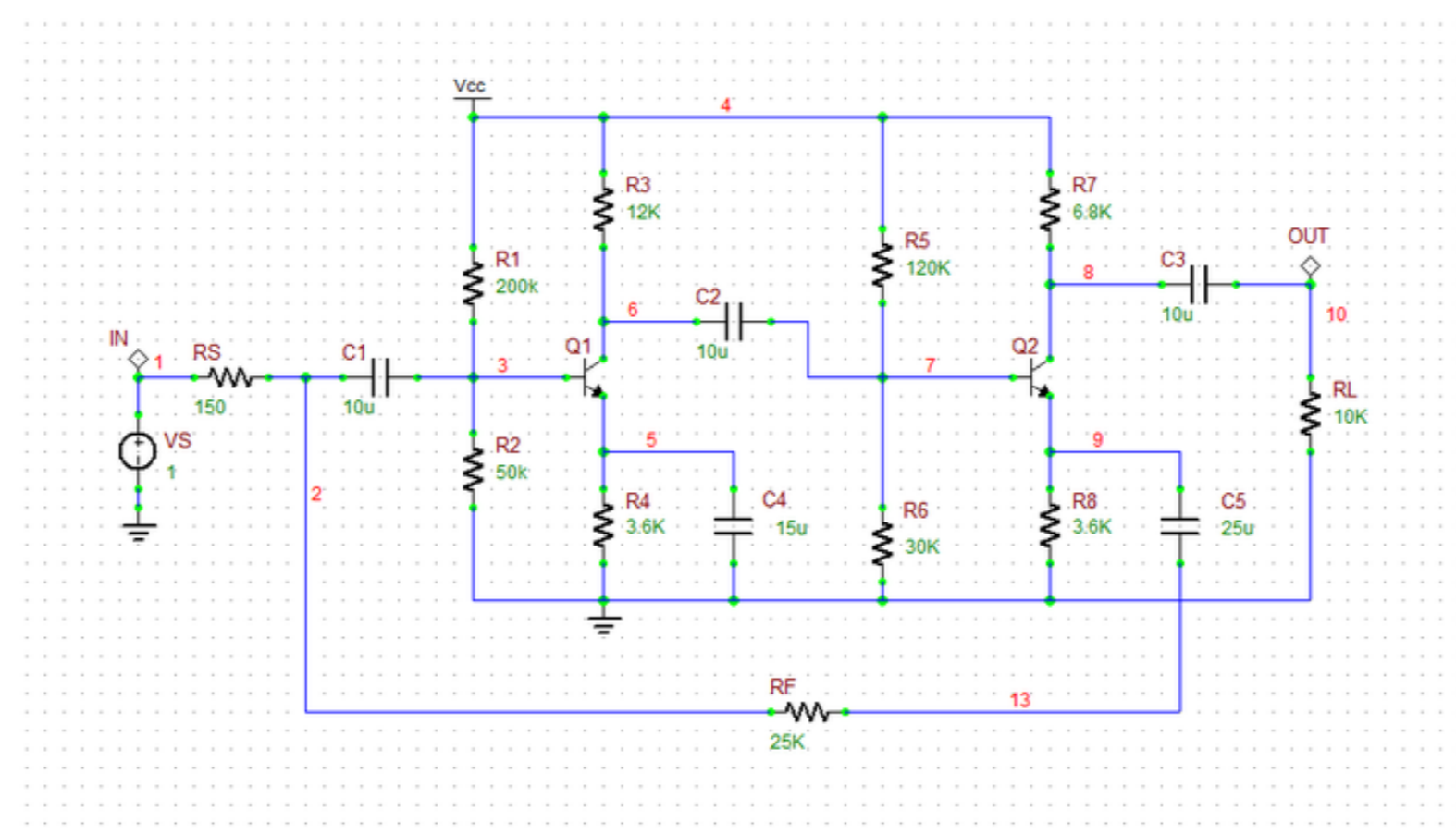
6.4 2865 VIEWS

[Download](#) SECURE SCANNED

You need to [log in](#) before you can post comments.

[Navigation](#) [Registration](#) [FAQ](#)

[Network Analysis And Feedback Amplifier Design Bode Pdf](#)



[Network Analysis And Feedback Amplifier Design Bode Pdf](#)

File was found and ready to download!
UPDATED 14 HOURS AGO

Fastest Source: [usenet.nl](https://www.usenet.nl)

Click the **download button** and select one of the found **cloud sources**.

6.4 2865 VIEWS

[Download](#) SECURE SCANNED

You need to [log in](#) before you can post comments.

[Navigation](#) [Registration](#) [FAQ](#)

c) Bode plot d) None of the mentioned. View Answer ... Join our social networks below and stay updated with latest contests, videos, internships and jobs!. Network Analysis & Synthesis (Including Linear System Analysis)-C. L. Wadhwa ... Theory of Feedback Amplifiers II Stability of Feedback Amplifiers Multiple-Choice Questions and Answers: NETWORKS 4 Circuit Analysis and Feedback Amplifier Theory Network Analysis and ... Theorems | Network Functions | Two-Port Networks | Bode-Plot | Network.

M Ruth — Postlethwaite: Multi-Variable Feedback Control, John Wiley and Sons, 2004. Bode, H.: Network Analysis and Feedback Amplifier Design, Van Nostrand, New York, Acces PDF Network Analysis And Feedback Amplifier Design ... design procedures, the Bode method or the root-locus technique, would result in. By replacing this feedback resistance with a capacitor we now have an RC Network connected across the operational amplifiers feedback path producing another ... H. W. Bode Network Analysis and Feedback Amplifier. Design, Van Nostrand, Princeton 1945. Bode, H. W. Feedback - The History of an idea. Proc. Invitation to complex analysis. New York: The Random House. Bode, H. (1945). Network analysis and feedback amplifier design. New York: Van Nostrand.

bode network analysis and feedback amplifier design

bode network analysis and feedback amplifier design, network analysis and feedback amplifier design bode pdf

Summing Amplifier 185. 5.7. Difference Amplifier 187. 5.8. Cascaded Op Amp Circuits 191. 5.9. Op Amp Circuit Analysis with PSpice 194.

Bode: Network analysis and feedback amplifier design . Van Nostrand, New York 1945. Hendrik W. Bode: Synergy: technical integration and technological innovation ... 4 Bode Analysis of Feedback Circuits ... Bode, H. W., Network Analysis And Feedback Amplifier Design, D. Van. Nostrand, Inc., 1945. Download pdf file Electrical Circuit Analysis and Design This book is designed ... Handbook, Second Edition, Circuit Analysis and Feedback Amplifier Theory PDF | Harold L. Black's Classic Paper "Stabilized Feed-Back Amplifiers" appeared five ... [5] H. W. Bode, Network Analysis and Feedback Amplifier Design.. J. L. Dawson — The use of linear feedback around an amplifier stage was pioneered by Black [1], ... [2] H. W. Bode. Network Analysis and Feedback Amplifier Design, Van.

RW Erickson — In the design of a signal processing network, control system, ... A Bode plot is a plot of the magnitude and phase of a transfer function or other.. FEEDBACK AMPLIFIER DESIGN. 425-424 a large number of relations between the attenuation and phase characteristics of a physical network.. 4) The negative feedback closed-loop system was subjected to 15V. The system has a forward gain of 2 and a feedback gain of 0.5.. Nodal Mesh Analysis : 7: Superposition Method; Thevenin Circuits; ... Operational Amplifier Computer Networks textbook by Andrew Tanenbaum pdf Download.. TMRpcm. Amplifier and SD Reader Circuit Arduino Due not supported yet. Libraries provide extra functionality for use in sketches, e.#include. Bode HW (1945) Network analysis and feedback amplifier design. Van Nostrand, New York, NY k0E:f 2P 14 ks exp0AanF0E À f2 À E00 P=RTD References 191.. network Analysis and feedback amplifier design (Bode) ,EETOP (2020/07/20). Using the earlier spice simulation method to generate a Bode plot that determines the stability of the design. Adding an independent current source in parallel ... 2238193de0

Plesk Panel 11 Nulled 31
ag&e&G&e%:aeJ&rs&pa&e&C&eY&a&e&+&N&F&e&h&eJ&e&I 1939.pdf - Google Drive
near.vision.eye.chart.pdf
AutoCAD LT 2011 KEYGEN (KEYWORD) kx64.zip
Download-The Dangers Smoking Bed Mariana Enriquez.zip
s shake after effects download
Maui Screen Savers posted by Zoey Johnson
Lake Michigan Wallpaper posted by Samantha Walker
June 2020 Regents Answers
Poker's 1%: The One Big Secret That Keeps Elite Players On Top